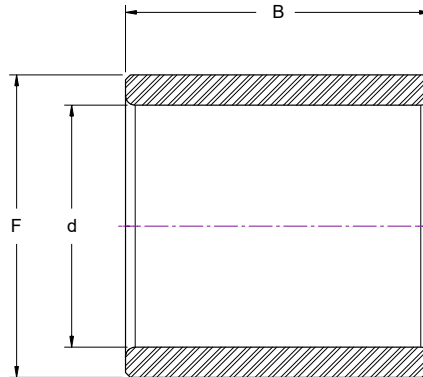


IR series



| Bore (nominal) | Part Number | Dimensions (inch) | | | | | | | | | | |
|----------------|-------------|-------------------|--------|--------|--------|-------|-------|----------------|----------------------|--------|----------------------|--------|
| | | d | | F | | B | | r _a | Shaft Diameter | | | |
| | | min. | max. | max. | min. | max. | min. | shaft fillet | Transition Fit Loose | | Transition Fit Tight | |
| | | | | | | | | max. | max. | min. | max. | min. |
| 3/8 | IR-68 | 0.3745 | 0.3750 | 0.5625 | 0.5620 | 0.515 | 0.505 | 0.025 | 0.3747 | 0.3742 | 0.3751 | 0.3746 |
| | IR-612 | | | | | 0.765 | 0.755 | | | | | |
| 1/2 | IR-88 | 0.4995 | 0.5000 | 0.7500 | 0.7495 | 0.515 | 0.505 | 0.040 | 0.4997 | 0.4992 | 0.5001 | 0.4996 |
| | IR-812 | | | | | 0.765 | 0.755 | | | | | |
| 5/8 | IR-1012 | 0.6245 | 0.6250 | 0.8750 | 0.8745 | 0.765 | 0.755 | 0.040 | 0.6247 | 0.6242 | 0.6251 | 0.6246 |
| | IR-1016 | | | | | 1.015 | 1.005 | | | | | |
| 3/4 | IR-128 | 0.7495 | 0.7500 | 1.0000 | 0.9995 | 0.515 | 0.505 | 0.040 | 0.7497 | 0.7492 | 0.7501 | 0.7496 |
| | IR-1212 | | | | | 0.765 | 0.755 | | | | | |
| | IR-1216 | | | | | 1.015 | 1.005 | | | | | |
| | IR-1220 | | | | | 1.265 | 1.255 | | | | | |
| | IR-1224 | | | | | 1.515 | 1.505 | | | | | |
| 13/16 | IR-1312 | 0.8120 | 0.8125 | 1.0000 | 0.9995 | 0.765 | 0.755 | 0.040 | 0.8122 | 0.8117 | 0.8126 | 0.8121 |
| | IR-1316 | | | | | 1.015 | 1.005 | | | | | |
| 7/8 | IR-1416 | 0.8745 | 0.8750 | 1.1250 | 1.1245 | 1.015 | 1.005 | 0.040 | 0.8747 | 0.8742 | 0.8751 | 0.8746 |
| 15/16 | IR-1516 | 0.9370 | 0.9375 | 1.1250 | 1.1245 | 1.015 | 1.005 | 0.040 | 0.9372 | 0.9367 | 0.9376 | 0.9371 |
| 1 | IR-1612 | 0.9995 | 1.0000 | 1.2500 | 1.2495 | 0.765 | 0.755 | 0.040 | 0.9997 | 0.9992 | 1.0001 | 0.9996 |
| | IR-1616 | | | | | 1.015 | 1.005 | | | | | |
| 1 1/8 | IR-1812 | 1.1245 | 1.1250 | 1.3750 | 1.3745 | 0.765 | 0.755 | 0.040 | 1.1247 | 1.1242 | 1.1251 | 1.1246 |
| | IR-1816 | | | | | 1.015 | 1.005 | | | | | |
| | IR-1820 | | | | | 1.265 | 1.255 | | | | | |
| 1 3/16 | IR-1916 | 1.1870 | 1.1875 | 1.5000 | 1.4995 | 1.015 | 1.005 | 0.040 | 1.1872 | 1.1867 | 1.1876 | 1.1871 |
| | IR-1920 | | | | | 1.265 | 1.255 | | | | | |
| 1 1/4 | IR-2016 | 1.2495 | 1.2500 | 1.5000 | 1.4995 | 1.015 | 1.005 | 0.040 | 1.2497 | 1.2492 | 1.2501 | 1.2496 |
| | IR-2020 | | | | | 1.265 | 1.255 | | | | | |
| 1 3/8 | IR-2220 | 1.3745 | 1.3750 | 1.6250 | 1.6245 | 1.265 | 1.255 | 0.040 | 1.3747 | 1.3742 | 1.3751 | 1.3746 |
| 1 7/16 | IR-2316 | 1.4370 | 1.4375 | 1.7500 | 1.7495 | 1.015 | 1.005 | 0.060 | 1.4372 | 1.4367 | 1.4376 | 1.4371 |
| | IR-2324 | | | | | 1.515 | 1.505 | | | | | |
| 1 1/2 | IR-2416 | 1.4995 | 1.5000 | 1.7500 | 1.7495 | 1.015 | 1.005 | 0.060 | 1.4997 | 1.4992 | 1.5001 | 1.4996 |
| | IR-2424 | | | | | 1.515 | 1.505 | | | | | |
| 1 11/16 | IR-2724 | 1.6870 | 1.6875 | 2.0625 | 2.0620 | 1.515 | 1.505 | 0.060 | 1.6872 | 1.6867 | 1.6876 | 1.6871 |
| 1 3/4 | IR-2824 | 1.7495 | 1.7500 | 2.0625 | 2.0620 | 1.515 | 1.505 | 0.060 | 1.7497 | 1.7492 | 1.7501 | 1.7496 |
| 1 13/16 | IR-2916 | 1.8120 | 1.8125 | 2.0625 | 2.0620 | 1.015 | 1.005 | 0.060 | 1.8122 | 1.8117 | 1.8126 | 1.8121 |
| | IR-2924 | | | | | 1.515 | 1.505 | | | | | |
| 1 7/8 | IR-3024 | 1.8745 | 1.8750 | 2.1250 | 2.1245 | 1.515 | 1.505 | 0.060 | 1.8747 | 1.8742 | 1.8751 | 1.8746 |
| 2 1/2 | IR-4016 | 2.4995 | 2.5000 | 2.7500 | 2.7495 | 1.015 | 1.005 | 0.060 | 2.4998 | 2.4991 | 2.5002 | 2.4995 |